

ZL MULTIONE

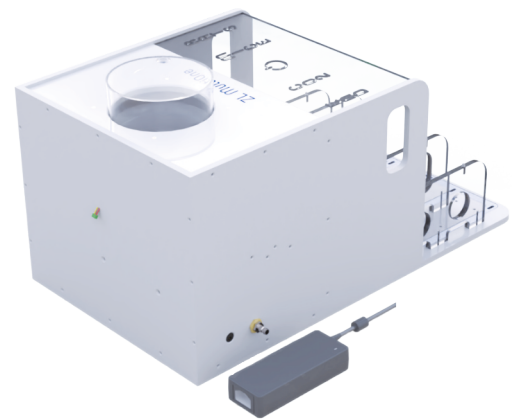
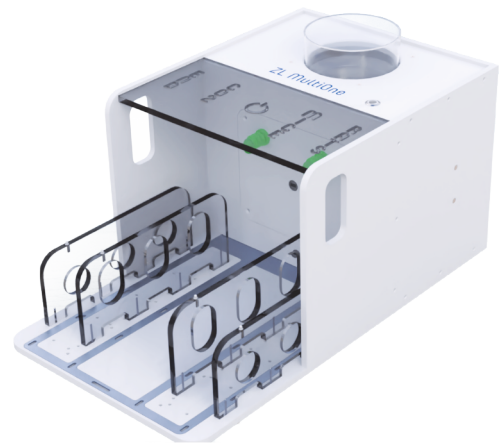
AIR FLOW SYSTEMS

The ZL MultiOne is a newly developed device for CO₂ euthanasia of IVC cages at the workplace.

Due to the innovative design, both type 2 L and type 3 cages can be connected. The ZL MultiOne recognizes the cage and automatically starts a gassing process after docking. The automatic flow adjustment ensures that only the required amount of CO₂ enters the cage. Depending on the model, a session takes between 6 and 8 minutes.

The ZL MultiOne is designed for ZOONLAB cages. However, cages from other manufacturers can also be used when equipped with special adapters. Thus, we guarantee compatibility of cages of the Green and Blueline Tecniplast series as well as cages of the NextGen series of the manufacturer Allentown.

A simple LED display on the unit visualizes the three different operating modes "Session Ready", "In Progress" and "Completed." The ZL MultiOne can be operated with a portable CO₂ cylinder as well as on the mains at 2 bar pressure.



Technical Details:

- Adapter for cages type 2 L and type 3
- Auto-start function by recognition of the cages upon docking
- Automatic sequence with induction phase, euthanasia phase and flushing phase
- Session duration: 6-7 minutes for cage type 2 L, 7-8 minutes for type 3
- Special adapters for Greenline, Blueline (Tecniplast), for Nexgen (Allentown) and ZOONLAB
- LED indicators for "session ready", "in progress" or "completed"
- Connection for CO₂ bottle or mains 2 bar pressure
- Soda lime filter and/or external exhaust port
- Air purifier to purge the CO₂ from the cage at the end of the session

Description	Cages	Order No.
Modell Maße Außenabmessungen (B x T x H) 380 x 670 x 320 mm	ZOONLAB Typ 2 L / 3	53144408
	TP - Greenline Typ 2 L / 3	53144409
	TP - Blueline Typ 2 L / 3	53144410
	Allentown Typ 2 L / 3	53144411
	Emerald	53144412
Accessories		
Soda lime cylinder		3144420
Transport trolley	1010 x 510 x 1080 [L x B x H in mm]	5113893



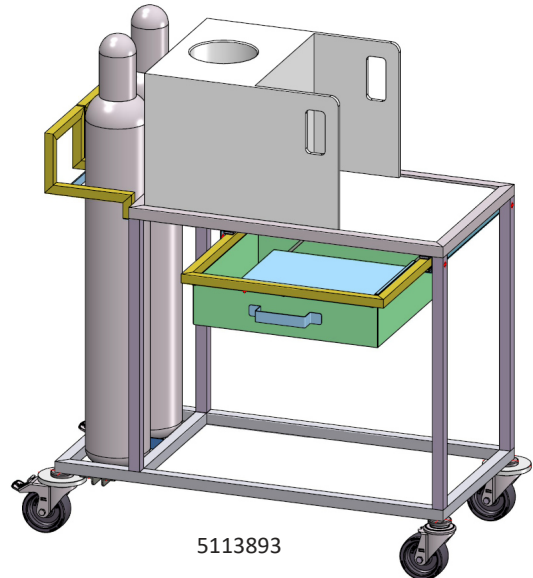
ZL MULTIONE SERVICE TROLLEY

FOR AIR FLOW SYSTEMS

The ZL MultiOne service trolley is specially designed for the safe transport of gas cylinders. This means you can easily move the MultiOne to different locations.

Your benefits at a glance:

- The legal requirements for the stability and transport safety of gas cylinders are thus always complied with
- The additional drawer gives the user hands-free access to essential items such as documents and other items in the minimum amount of space.
- Even a fold-out table is always on the move, thanks to the integrated "tablet" in the drawer.
- The drawer can also be opened on both sides. This means that the additional table surface can also be folded out on both sides.



The MultiOne trolley is the ideal complement to MultiOne, making it suitable for mobile use with maximum freedom in any space.

Subject to technical modifications.